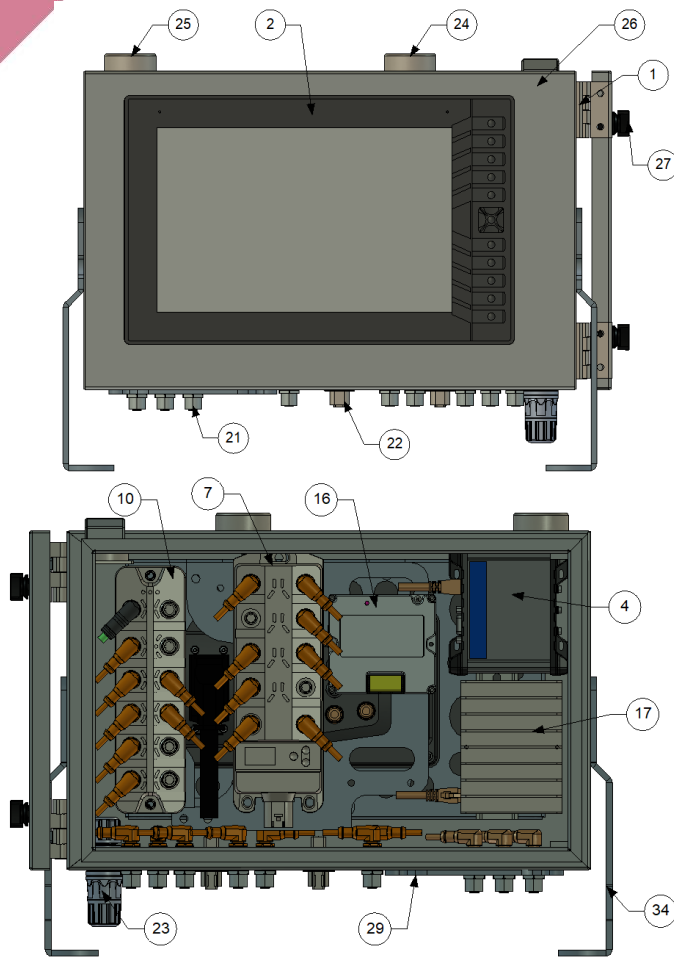


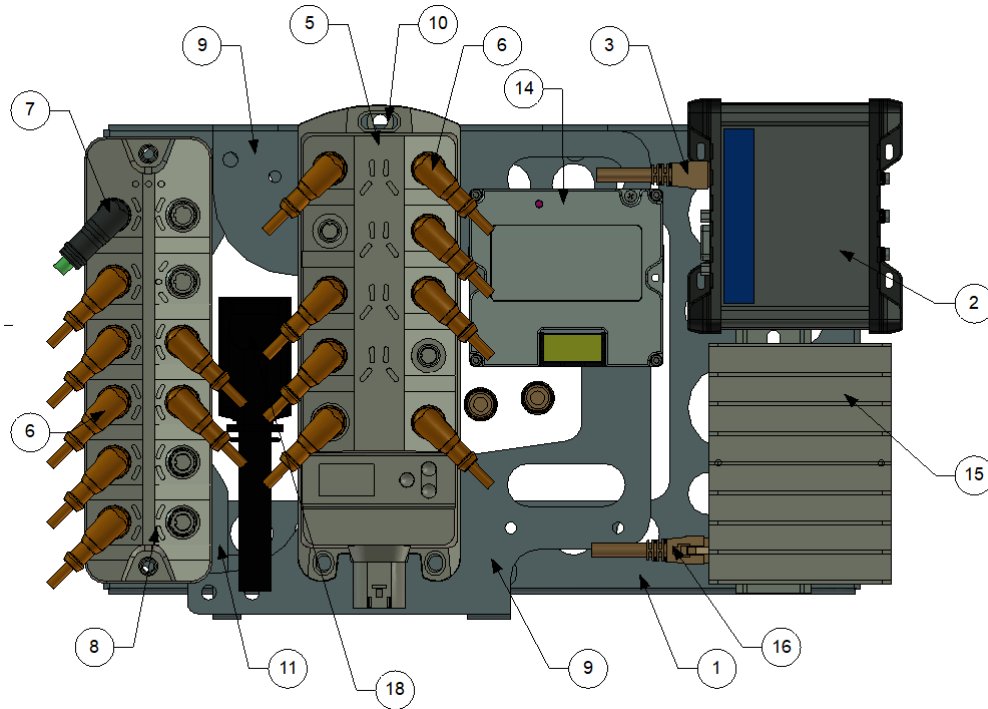
Parts Manual V5.3

MAJOR Drilling



Item No.	Description	Part Number	Qty
1	Hinge	NSCL266-4A2	2
2	Rock5 Screen	CR1204	1
3	Chassis screen backing plate 2mm AL	109135	1
4	Modem Router	RUT956	1
5	Router to Eth0 on screen	EVC942	1
6	Din Rail	1207653	2
7	IO Board Can Bus	CR2040	1
8	Cable 300mm EVC598	EVC598	13
9	Eth Cable - IO Link board to Eth01	EVC910	1
10	IO Link IO Board	AL1342	1
11	Chassis IO Board mount plate 2mm AL	109136	1
12	M6 Rivnuts	RIV39006-76030	5
13	Chassis IO Link Board mount plate	109139	1
14	Din Rail Clip	DRP-03	1
15	POE Backing Plate Gen 3	109138	1
16	POE Supply	YSNEAPL12001A	1
17	Fitlet2 Computer	CE3950-D8-M64S-XL-TI-P36	1
18	Ethernet Bend down cable	95-N204-S01-BL-DN-ND	1
19	Fitlet Mount plate 2.5Mm Al	109137	1
20	Rock 5 Harness	109133	1
21	Murr Bulk head 5 pin A code	7000-42111-0000000	6
22	Amphenol RCPT HSG 2 PIN	AT04-2P-PM11	2
23	ICOM Cable Gland	CG-C6A-FF	2
24	GPS Arial	TANGO20/3M/SMAM/S/S/26-ND	1
25	WIFI GSM Arial	TANGO43/0.5M/SMAM/SMAM/RP/S/S/17	1
26	ROCK5 Enclosure REV C Asy	109133	1
27	Cabinet Lock RS Components	146-1811	2
28	Rock5 Cabinet Door	109132	1
29	Bottom bulk head plate	109134	1
30	6mm Aluminium Fan extension Bottom	109141	1
31	Radial Cooling Fan	DR-5015B-24A	1
32	24V Fan - Top Fan	457-7346	1
33	6mm Aluminium Fan extension Top	109142	1
34	Screen Mount Assy	109102	1

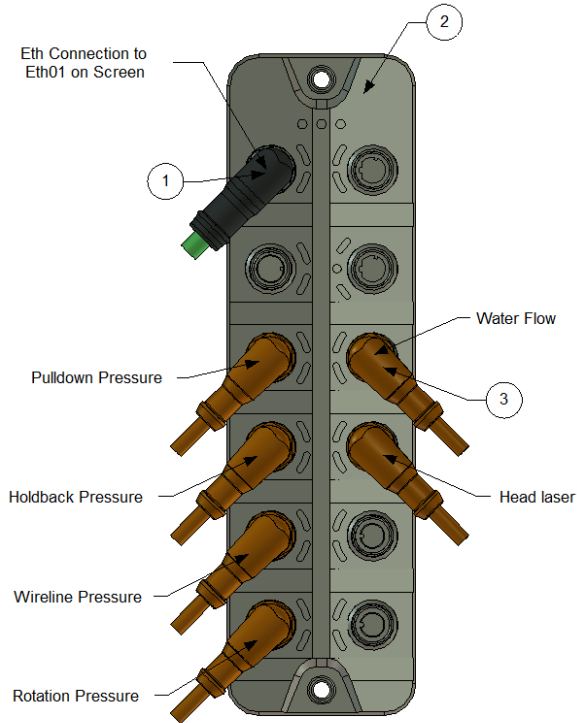




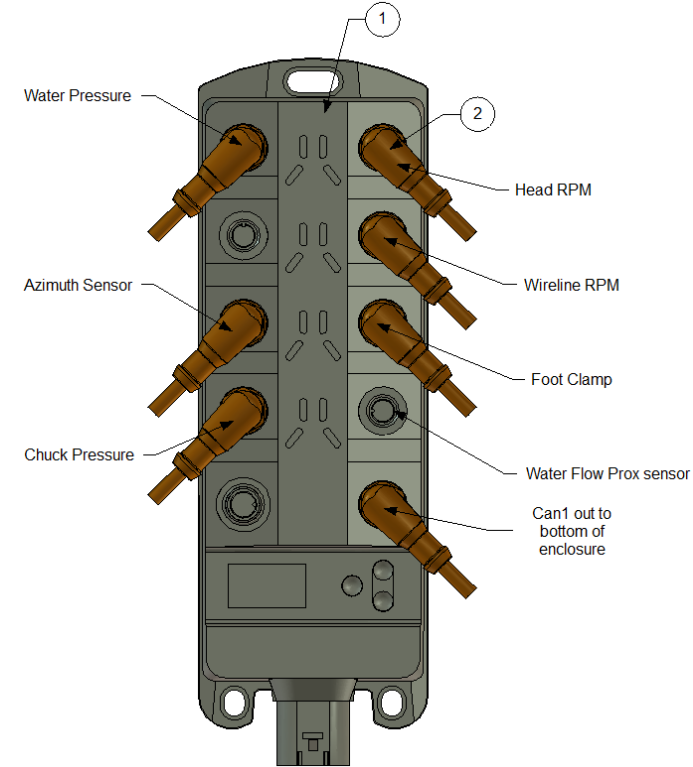
Item No.	Description	Part Number	Qty
1	Chassis screen backing plate 2mm AL	109135	1
2	Modem Router	RUT956	1
3	Router to Eth0 on screen	EVC942	1
4	Din Rail	1207653	2
5	IO Board Can Bus	CR2040	1
6	Cable 300mm EVC598	EVC598	13
7	Eth Cable - IO Link board to Eth01	EVC910	1
8	IO Link IO Board	AL1342	1
9	Chassis IO Board mount plate 2mm AL	109136	1
10	M6 Rivnuts	RIV39006-76030	5
11	Chassis IO Link Board mount plate	109139	1
12	Din Rail Clip	DRP-03	1
13	POE Backing Plate Gen 3	109138	1
14	POE Supply	YSNEAPL12001A	1
15	Fitlet2 Computer	CE3950-D8-M64S-XL-TI-P36	1
16	Ethernet Bend down cable	95-N204-S01-BL-DN-ND	1
17	Fitlet Mount plate 2.5Mm AL	109137	1
18	Rock 5 Harness	109133	1

MAJOR Drilling

Item No.	Description	Part Number	Qty
1	Eth Cable - IO Link board to Eth01	EVC910	1
2	IO Link IO Board	AL1342	1
3	Cable 300mm EVC598	EVC598	6



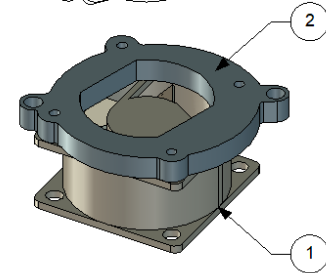
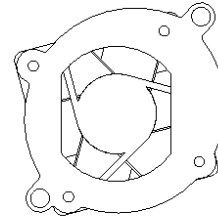
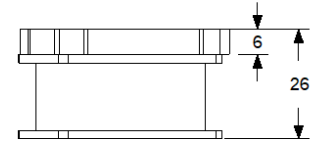
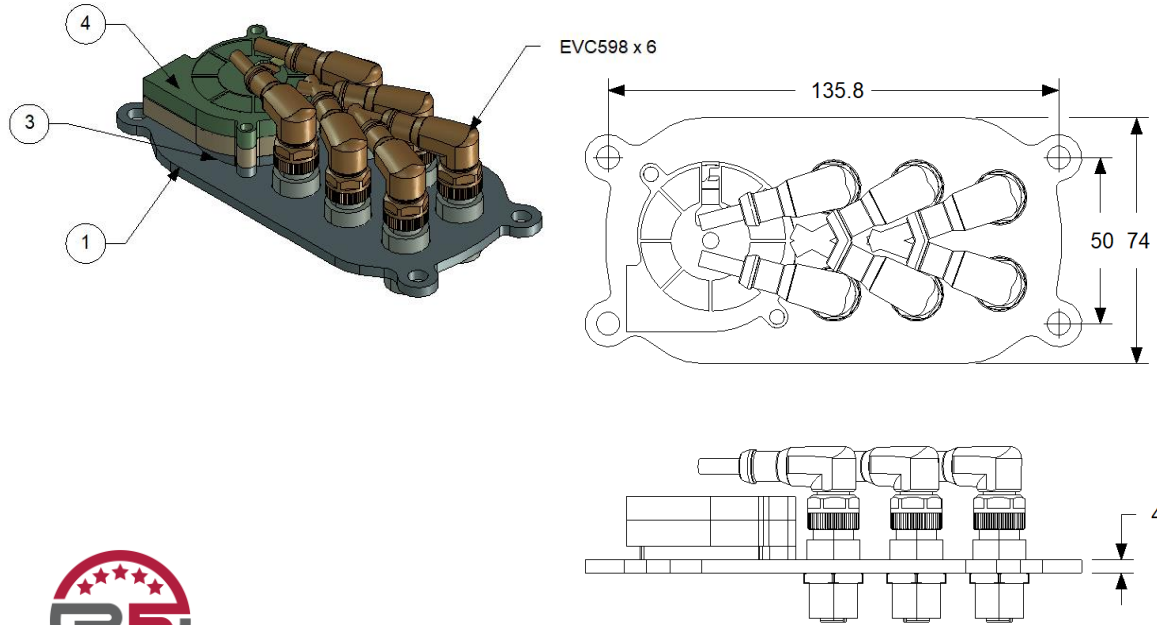
Item No.	PartName	Part Number	Qty	Description
1	CR2040	CR2040	1	IO Board Can Bus
2	Cable 300	EVC598	7	Cable 300mm EVC59



MAJOR Drilling

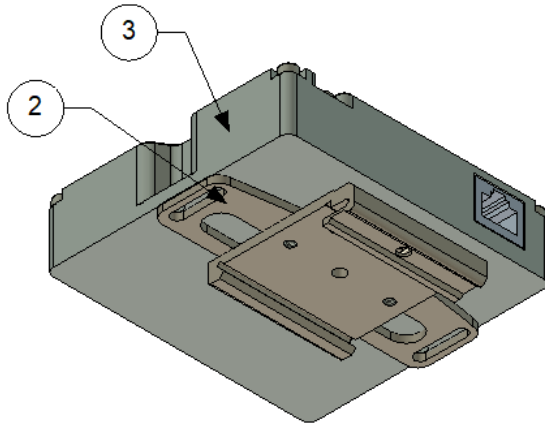
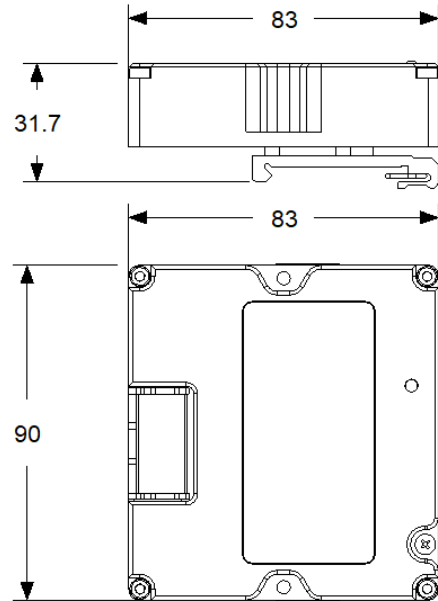
Item No.	Description	Part Number	Qty
1	Bottom bulk head plate	109134	1
2	Murr Bulk head 5 pin A code	7000-42111-0000000	6
3	6mm Aluminium Fan extension Bottom	109141	1
4	Radial Cooling Fan	DR-5015B-24A	1

Item No.	Description	Part Number	Qty
1	24V Fan - Top Fan	457-7346	1
2	6mm Aluminium Fan extension Top	109142	1





Item No.	Description	Part Number	Qty
1	Din Rail Clip	DRP-03	1
2	POE Backing Plate Gen 3	109138	1
3	POE Supply	YSNEAPL12001A	1



Item No.	Description	Part Number	Qty
1	Fitlet2 Computer	CE3950-D8-M64S-XL-TI-P36	1
2	Ethernet Bend down cable	95-N204-S01-BL-DN-ND	1
3	Fitlet Mount plate 2.5Mm Al	109137	1
4	Din Rail Clip	DRP-03	1

